

**MORE POWER - LESS SPACE™**



# unigy I

## 12AVR75 12AVR100

- **Exclusive IPF™ technology optimizes power capacity, cell consistency, and long-term reliability**
- Space saving Absorbed Glass Mat (AGM) construction (48 volt system fits in 23" racks)
- Reinforced case resists bulging and meets safety requirements (UL94 V-0)
- Computer-aided design and manufacturing control processes and standards to ensure quality products
- All batteries meet or exceed IEEE 485 and Telcordia capacity requirements
- Battery design and construction meet UL recognition requirements
- I.C.A.O., I.M.D.G., I.A.T.A., and D.O.T. air transport approved



QUALITY SYSTEM  
CERTIFIED  
**ISO 9001**  
**ISO/TS 16949**  
ENVIRONMENTAL  
SYSTEM CERTIFIED  
**ISO 14001**

### SPECIFICATIONS

**Nominal Voltage:** 12-Volt/70.6 & 94.1 ampere-hours @ 8 hr. rate to 1.75 final volts/cell

**Positive Plate:** Pure lead, low-calcium, high-tin alloy

**Negative Plate:** Lead Calcium Alloy

**Post Seal:** Epoxy-sealed

**Terminal:** Inserted post, 1/4" x 20 brass insert

**Container/Cover:** Flame-retardant, polypropylene - UL 94 V-0/>28% L.O.I.

**Safety Vent:** Low positive pressure, self-sealing w/ flame arrestor

**Float Voltage:** 2.25 volts per cell ± 0.01 vpc (Range: 13.44 to 13.56 volts per 6-cell unit)

**Battery Life:** 5 years in float applications at 77°F/25°C

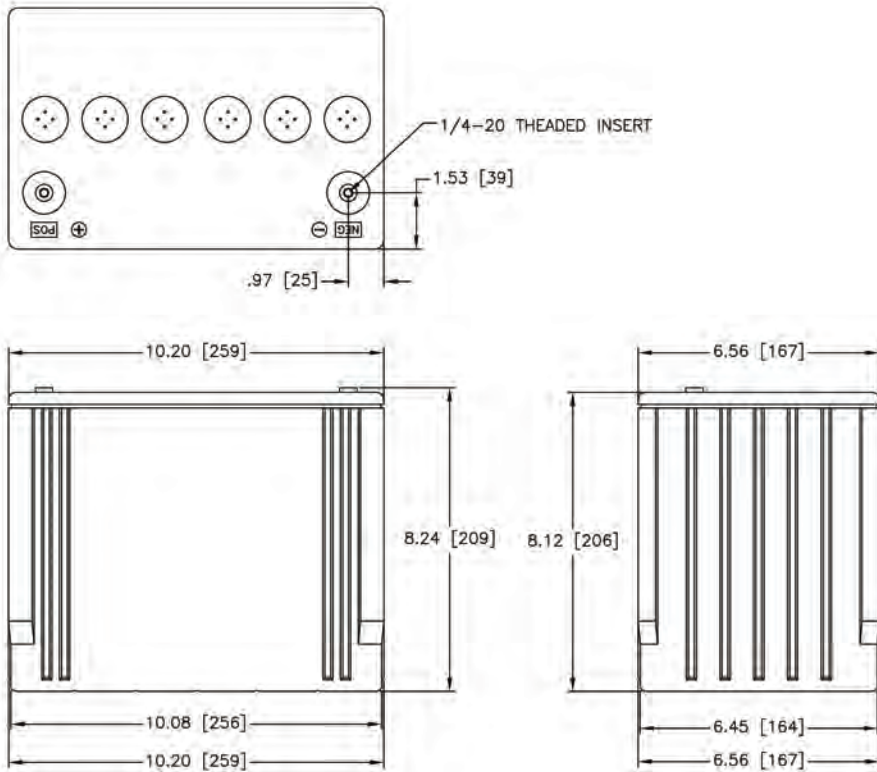
**Dimensions & Weight:** Noted on back

### 12AVR75 RATINGS IN AMPS @ 77°F

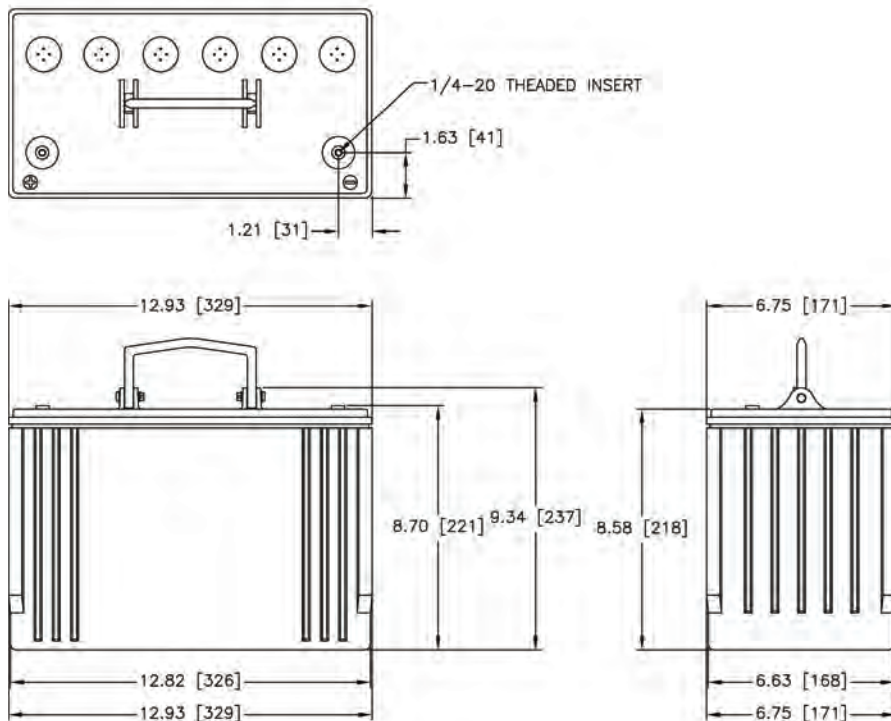
Volts Per Cell (V.P.C.)	1 HR.	3 HR.	5 HR.	8 HR.	10 HR.	12 HR.	20 HR.	24 HR.
1.75	51.4	20.8	13.4	8.8	7.2	6.1	3.8	3.2
1.80	50.8	20.6	13.3	8.8	7.2	6.1	3.8	3.2
1.85	49.6	20.3	13.1	8.6	7.1	6.0	3.7	3.2
1.88	46.6	19.2	12.4	8.3	6.8	5.8	3.6	3.1
1.90	45.2	18.4	11.9	7.9	6.5	5.5	3.4	2.9

### 12AVR100 RATINGS IN AMPS @ 77°F

Volts Per Cell (V.P.C.)	1 HR.	3 HR.	5 HR.	8 HR.	10 HR.	12 HR.	20 HR.	24 HR.
1.75	68.5	27.8	17.9	11.8	9.6	8.2	5.1	4.3
1.80	67.8	27.5	17.7	11.7	9.6	8.1	5.1	4.3
1.85	66.2	27.0	17.4	11.5	9.4	8.0	5.0	4.2
1.88	62.2	25.6	16.6	11.0	9.0	7.7	4.8	4.1
1.90	60.3	24.6	15.9	10.5	8.6	7.3	4.6	3.9



12AVR75



12AVR100



**"POWERED FOR PERFORMANCE"®**  
**EAST PENN manufacturing co., inc.**

Lyon Station, PA 19536-0147 • Phone: 610-682-6361 • Fax: 610-682-4781  
 Order Department Hotline: 610-682-3263  
 www.eastpennunigy.com • e-mail: sales@eastpennunigy.com